

“ TAKACHIHO ”

Standard

Commutators

(Version:2020/2)

TAKACHIHO INDUSTRIAL CO.,LTD.

1-35-4 Takenotsuka, Adachi-ku, Tokyo, 121-0813, JAPAN

TEL:81-3-5686-5491 FAX:81-3-5686-5494

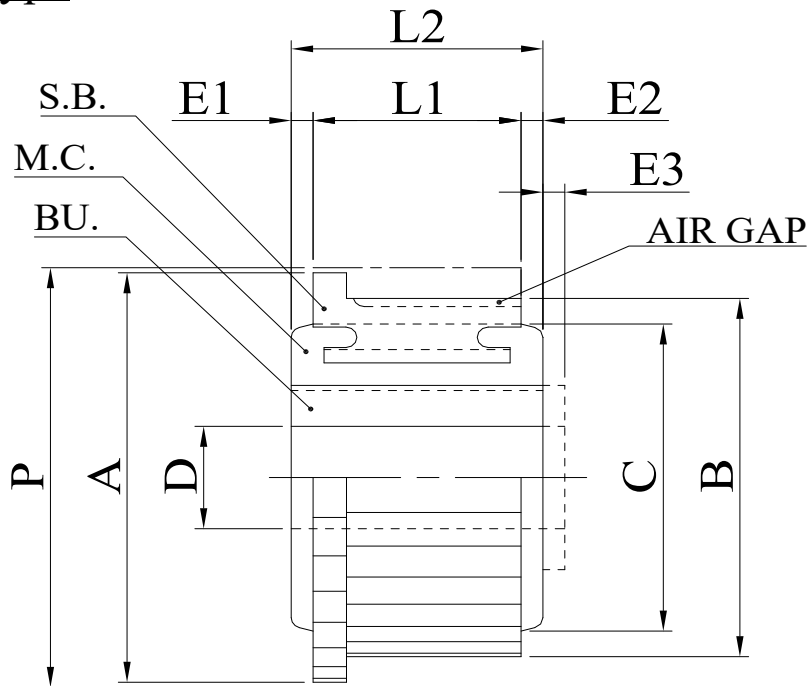
E-mail:tkh@takachiho-ind.co.jp

URL:<http://www.takachiho-ind.co.jp/>

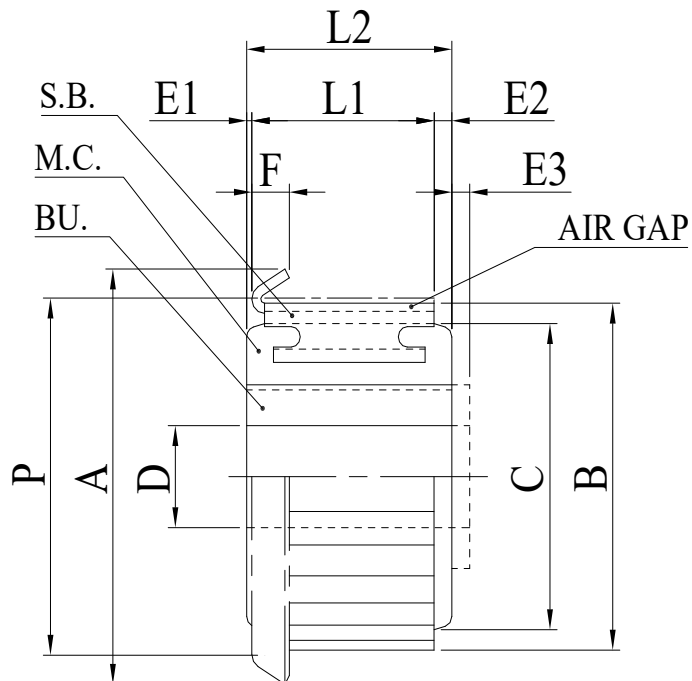


Types of Commutators - 1

TSC type



FC type

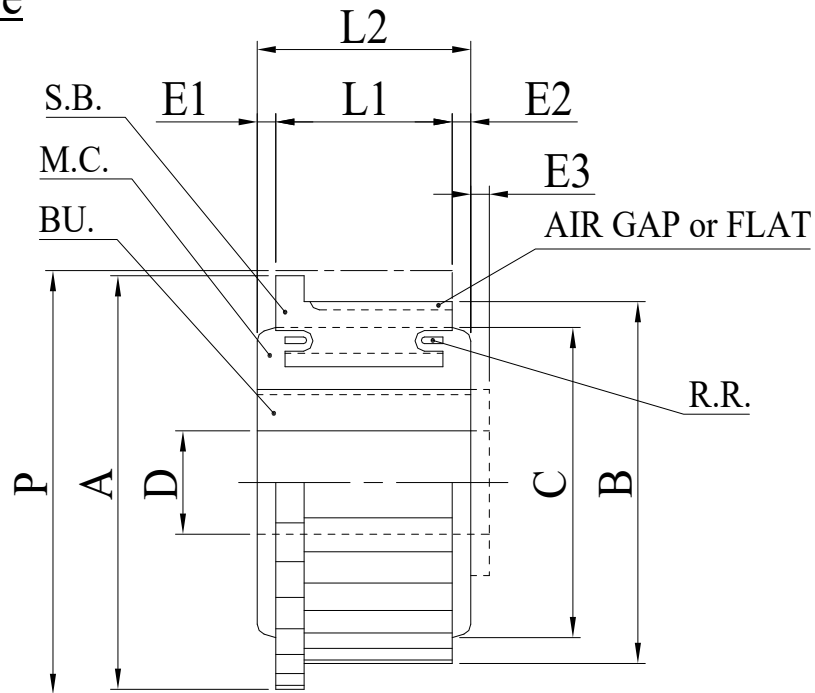


Codes:

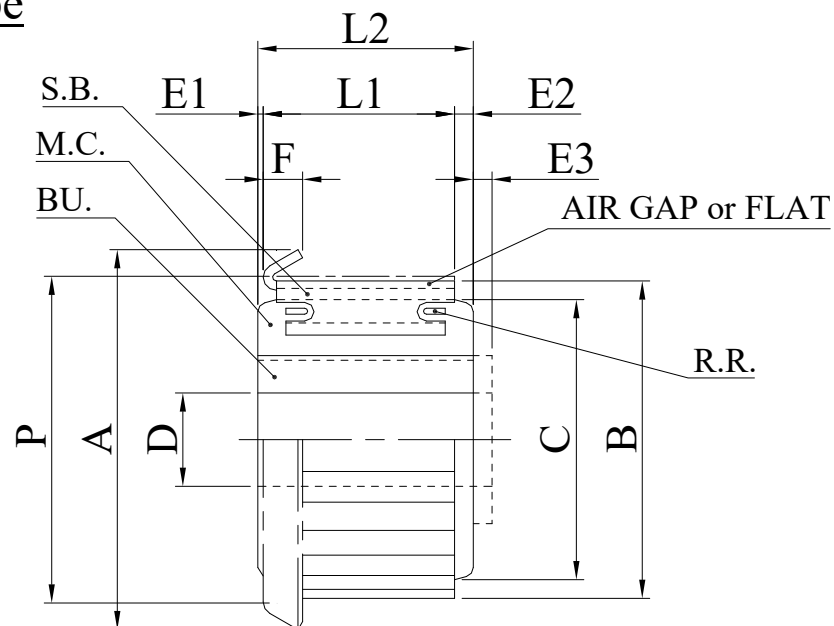
- S.B. : Segment Bar
- S.M. : Segment Mica
- M.C. : Molding Compound
- B.U. : Bushing
- R.R. : Reinforce Ring

Types of Commutators - 2

CR type



UR type



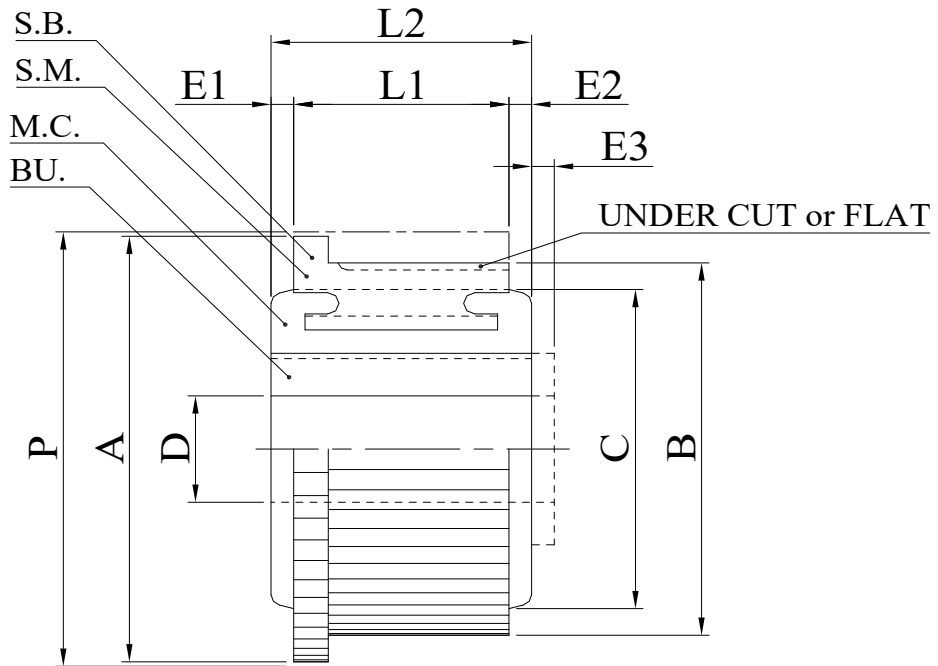
(Segment Mica Type : UNDER CUT or FLAT)

Codes:

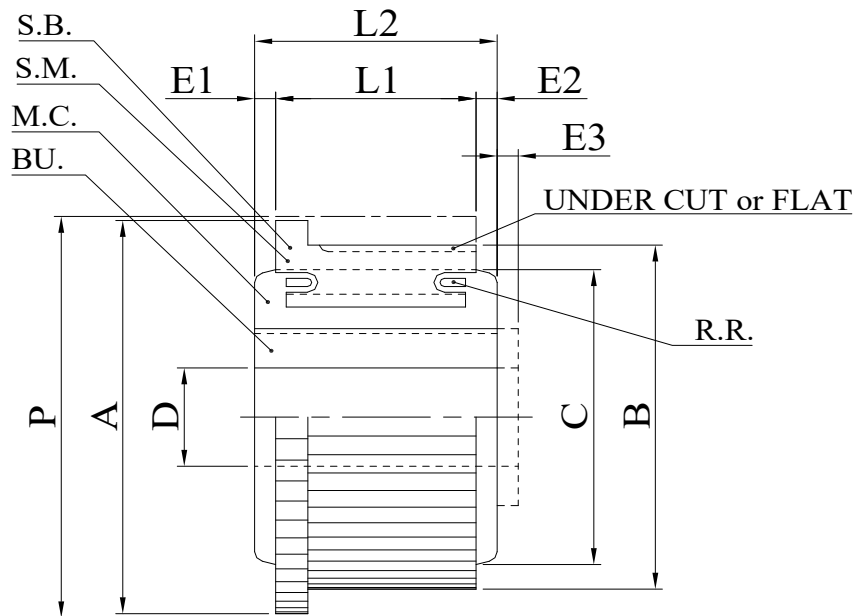
- S.B. : Segment Bar
- S.M. : Segment Mica
- M.C. : Molding Compound
- B.U. : Bushing
- R.R. : Reinforce Ring

Types of Commutators - 3

TS type



TSR type

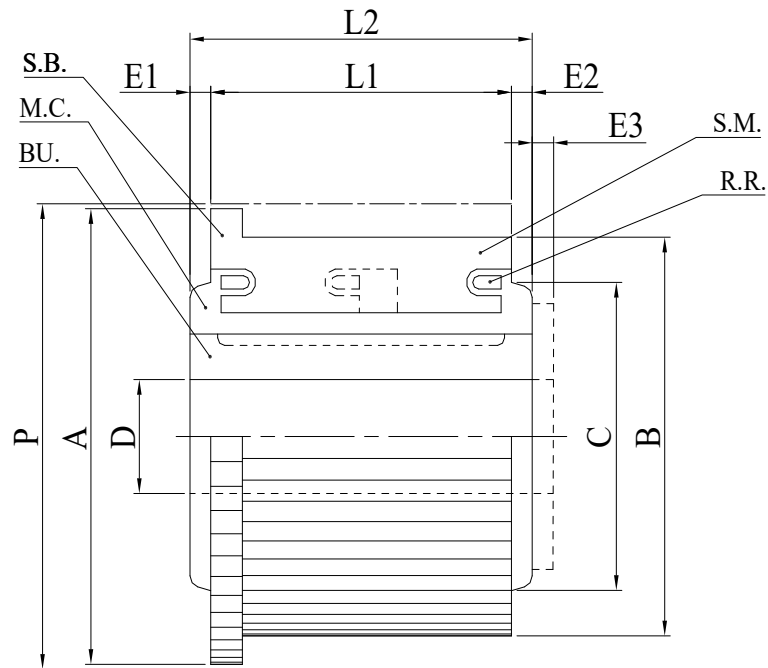


Codes:

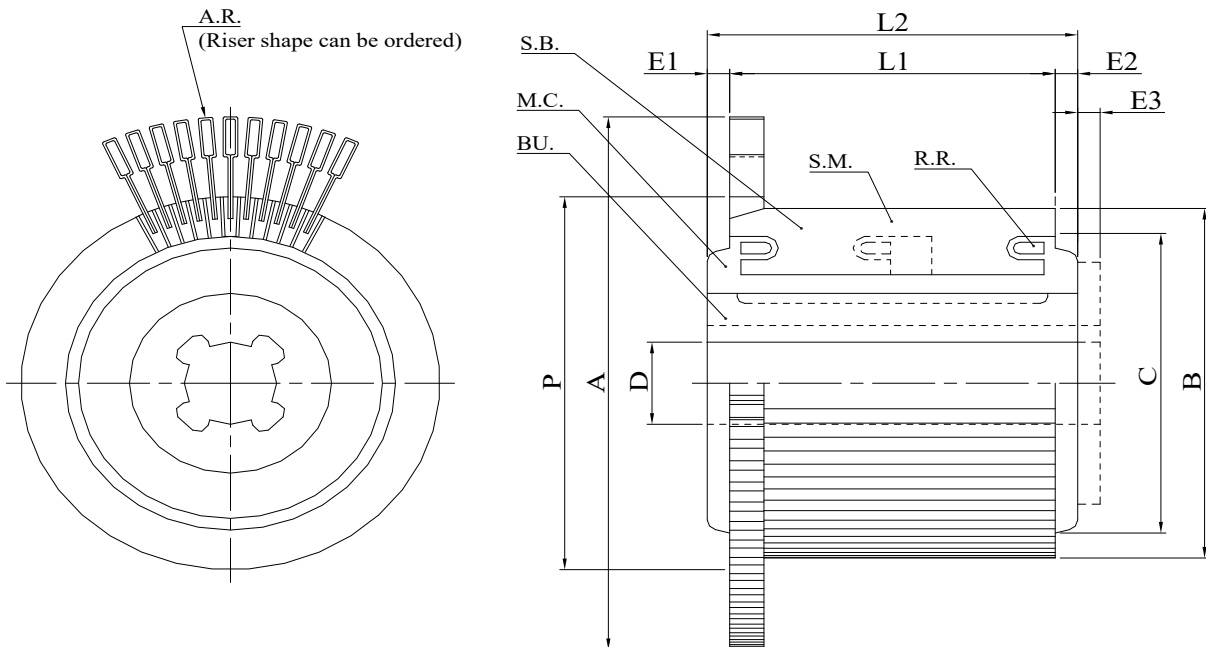
S.B. : Segment Bar
S.M. : Segment Mica
M.C. : Molding Compound
B.U. : Bushing
R.R. : Reinforce Ring

Types of Commutators - 4

R type



AR type



Codes:

- S.B. : Segment Bar
- S.M. : Segment Mica
- M.C. : Molding Compound
- B.U. : Bushing
- R.R. : Reinforce Ring

コンミテーター寸法一覧表 (TSC Type)

Takachiho industrial Co.,Ltd.

作成日 : 2020/2/12

List of " TAKACHIHO " Standard Commutators

(Dimensions in Millimeters)

コンミテーター No	枚数 SB/n	基準径	ラゲージ径	ブラジ径	内径	バー長	全長
		φP	D1	D2	d	L1	L2
TSC-1	7	13.5	11.3	11.3	4.0	8.0	8.0
TSC-2	10	22.0	11.9	11.9	4.7	5.8	14.7
TSC-3	10	23.5	14.5	14.5	6.3	6.4	15.1
TSC-4	13	19.2	17.3	17.3	6.5	9.5	11.9
TSC-5	13	38.0	36.0	31.0	13.1	24.5	27.5
TSC-6	15	22.5	21.4	20.0	8.0	12.5	16.0
TSC-7	15	41.0	40.0	36.3	16.0	34.0	36.0
TSC-8	17	20.5	18.3	18.3	9.7	9.9	11.7
TSC-9	24	25.0	21.5	21.5	8.0	15.5	20.5
TSC-10	24	27.0	23.5	23.5	10.0	15.0	18.0
TSC-11	24	28.0	26.5	25.5	8.0	16.5	19.5
TSC-12	26	38.0	36.0	30.3	13.1	24.5	27.5
TSC-13	26	38.0	36.0	31.0	13.1	16.0	18.0
TSC-14	26	38.0	36.0	30.3	13.1	30.5	33.5
TSC-15	28	31.0	29.4	28.6	9.5	16.5	20.0
TSC-16	30	22.5	21.0	20.5	8.0	12.5	16.0
TSC-17	31	27.0	25.5	25.5	15.0	6.5	8.4
TSC-18	31	27.0	25.5	25.5	15.3	6.5	8.4
TSC-19	32	47.5	46.0	40.3	18.0	28.0	32.0
TSC-20	36	30.0	29.0	28.0	10.0	17.0	23.0
TSC-21	37	63.0	63.0	50.3	23.0	34.0	38.0
TSC-22	37	76.0	64.0	50.3	23.0	34.0	38.0
TSC-23	39	38.0	36.0	30.3	13.1	24.5	27.5
TSC-24	63	74.5	72.0	70.4	24.0	32.0	40.0
TSC-25	64	55.0	53.0	50.5	17.0	20.0	24.0
TSC-26	72	39.0	37.8	37.5	14.0	12.0	16.0
TSC-27	75	62.0	60.5	58.0	20.0	30.0	36.0
TSC-28	75	80.0	78.5	77.0	30.0	45.0	50.0
TSC-29	80	52.0	50.0	47.3	12.0	22.0	24.0
TSC-30	80	90.0	87.0	80.5	30.0	45.0	55.0

コンミテーター寸法一覧表 (FC Type)

Takachiho industrial Co.,Ltd.

作成日 : 2020/2/12

List of " TAKACHIHO " Standard Commutators

(Dimensions in Millimeters)

コンミテーター No	枚数 SB/n	基準径	ラゲージ径	ブラジ径	内径	バー長	全長
		φP	D1	D2	d	L1	L2
FC-1	6	13.2	18.5	13.2	4.0	11.3	12.3
FC-2	9	11.4	14.0	11.0	3.0	9.5	10.0
FC-3	13	14.5	17.0	14.0	5.2	9.9	12.5
FC-4	13	20.5	24.0	18.8	8.0	13.0	14.0
FC-5	16	30.0	37.8	28.6	12.0	22.0	23.0
FC-6	16	32.0	42.5	32.0	11.9	21.0	22.0
FC-7	16	34.5	39.0	32.5	12.7	23.6	25.3
FC-8	17	16.5	17.9	15.0	7.1	10.0	10.5
FC-9	17	36.6	51.5	36.5	13.0	28.0	30.0
FC-10	21	18.5	20.4	17.2	8.0	14.0	15.0
FC-11	21	34.5	44.2	34.5	16.1	28.0	28.5
FC-12	24	20.5	23.5	19.0	8.1	13.2	15.0
FC-13	24	26.0	29.0	23.8	9.5	15.5	18.0
FC-14	25	34.5	37.6	32.7	12.0	13.5	15.2
FC-15	25	36.6	41.0	34.1	12.0	16.0	17.0
FC-16	25	36.6	41.0	34.1	14.0	16.0	17.0
FC-17	25	36.6	40.0	34.1	14.0	16.0	17.0
FC-18	25	41.0	50.5	40.5	18.0	35.7	37.0
FC-19	26	27.0	29.0	25.2	10.0	16.0	17.0
FC-20	32	33.5	38.0	31.5	12.0	19.0	20.0
FC-21	33	34.3	37.9	32.7	23.0	9.5	11.0

コンミテーター寸法一覧表 (CR Type)

Takachiho industrial Co.,Ltd.

作成日 : 2020/2/12

List of " TAKACHIHO " Standard Commutators

(Dimensions in Millimeters)

コンタイプ No	枚数 SB/n	基準径	ラゲージ径	ブラジ径	内径	バー長	全長
		φP	D1	D2	d	L1	L2
CR-1	19	49.6	47.9	34.5	14.0	43.0	49.5
CR-2	21	42.5	38.8	28.5	13.7	21.5	27.5
CR-3	21	42.5	40.5	30.2	12.5	24.8	28.0
CR-4	21	46.5	44.0	33.2	16.5	20.9	30.4
CR-5	21	70.0	69.0	43.5	15.5	32.6	40.5
CR-6	25	46.0	44.0	33.2	15.0	20.4	25.8
CR-7	25	46.0	44.0	33.2	16.5	20.4	30.4
CR-8	25	47.0	46.5	29.5	11.6	22.0	27.2
CR-9	25	47.0	46.5	29.5	11.6	27.0	32.2
CR-10	25	51.0	49.0	33.2	16.5	20.0	30.0
CR-11	25	60.0	57.0	38.2	14.0	34.6	40.0
CR-12	27	50.0	45.8	35.4	11.6	30.8	35.3
CR-13	28	56.5	55.5	38.2	14.0	34.6	40.0
CR-14	29	50.0	46.5	29.3	12.6	21.8	25.1
CR-15	29	50.0	46.5	29.3	12.6	21.8	27.1
CR-16	29	50.0	46.5	29.3	13.0	21.8	24.8
CR-17	29	51.0	47.8	33.2	16.5	20.2	30.0
CR-18	29	51.0	49.3	29.3	12.6	21.8	25.1
CR-19	29	51.0	49.5	33.2	16.5	20.0	30.0
CR-20	33	60.0	57.8	40.2	16.5	20.0	30.0
CR-21	33	72.0	71.5	48.5	17.5	31.6	39.0
CR-22	41	60.0	56.0	40.5	19.8	26.7	30.5
CR-23	41	60.0	58.0	41.5	19.8	27.0	30.5
CR-24	45	66.0	62.0	44.5	21.8	30.2	34.0
CR-25	47	66.0	62.3	44.0	20.4	30.0	34.0

コンミテーター寸法一覧表 (TS Type)

Takachiho industrial Co.,Ltd.

作成日 : 2020/2/12

List of " TAKACHIHO " Standard Commutators

(Dimensions in Millimeters)

コミタイプ No	枚数 SB/n	基準径	ラゲ-径	ブラジ径	内径	バー長	全長
		φP	D1	D2	d	L1	L2
TS-1	12	36.6	36.5	32.2	11.0	22.0	26.0
TS-2	14	15.0	14.5	13.3	4.8	9.5	11.5
TS-3	15	41.0	40.0	35.0	16.0	24.5	26.5
TS-4	15	41.0	40.0	36.6	16.0	24.5	26.5
TS-5	15	41.0	41.0	34.5	16.0	34.0	36.0
TS-6	15	41.0	41.0	38.0	16.0	34.0	36.0
TS-7	16	41.0	40.0	34.5	11.5	28.0	30.0
TS-8	16	48.0	48.0	48.0	19.1	20.6	27.8
TS-9	17	36.6	36.0	31.0	14.0	18.5	22.3
TS-10	18	46.0	46.0	36.5	18.0	26.0	30.0
TS-11	18	51.0	50.0	402.0	18.0	31.0	34.0
TS-12	20	58.0	57.4	47.6	19.1	29.3	33.1
TS-13	21	59.0	58.7	50.5	16.0	29.5	33.0
TS-14	21	59.0	58.7	50.3	16.0	37.5	41.0
TS-15	24	20.5	20.2	20.2	8.0	11.0	15.3
TS-16	24	22.0	21.5	21.5	8.0	15.5	20.5
TS-17	24	24.0	23.5	23.5	10.0	15.0	18.0
TS-18	24	38.0	37.0	32.2	11.0	22.0	25.0
TS-19	24	51.5	50.8	50.8	19.1	30.0	30.0
TS-20	24	52.0	52.0	44.0	14.0	27.0	30.0
TS-21	25	49.0	49.0	35.2	14.0	20.0	24.0
TS-22	26	38.0	36.0	30.3	13.1	30.5	33.5
TS-23	27	36.6	36.0	32.5	12.0	22.0	26.0
TS-24	28	28.0	28.0	25.2	9.0	14.5	17.5
TS-25	28	33.5	33.0	32.5	10.0	18.0	21.5
TS-26	28	34.5	34.0	32.5	11.0	24.5	32.0
TS-27	28	76.0	75.4	75.4	28.6	35.1	39.1
TS-28	29	30.5	30.0	30.0	18.0	10.0	11.0
TS-29	30	41.0	40.0	35.5	16.0	24.5	26.5
TS-30	30	41.0	40.0	35.5	16.0	29.0	31.0
TS-31	31	26.0	25.5	25.2	16.0	7.3	9.3
TS-32	31	36.5	36.5	34.5	16.0	19.0	23.0
TS-33	32	35.5	35.0	33.5	11.0	20.0	25.5
TS-34	32	38.0	38.0	36.5	14.0	24.5	32.0

コンミテーター寸法一覧表 (TS Type)

Takachiho industrial Co.,Ltd.

作成日 : 2020/2/12

List of " TAKACHIHO " Standard Commutators

(Dimensions in Millimeters)

コンミテーター No	枚数 SB/n	基準径	ラゲージ径	ブラジ径	内径	バー長	全長
		φP	D1	D2	d	L1	L2
TS-35	32	39.0	38.5	35.3	15.0	25.0	30.5
TS-36	32	48.0	48.0	48.0	19.1	20.6	27.8
TS-37	33	38.0	38.0	38.0	22.2	11.2	13.0
TS-38	33	52.2	52.0	49.5	30.0	15.0	15.0
TS-39	34	58.0	57.9	57.9	18.7	33.0	39.4
TS-40	36	38.0	37.5	36.5	14.0	28.0	31.5
TS-41	36	44.0	44.0	40.3	18.0	30.0	34.0
TS-42	38	36.6	36.5	35.0	12.0	18.0	22.0
TS-43	38	67.0	66.5	57.9	25.0	36.6	42.9
TS-44	39	36.5	36.0	32.0	13.1	19.0	21.5
TS-45	41	39.0	39.0	36.5	17.0	25.0	29.0
TS-46	41	46.0	46.0	44.0	19.1	20.6	23.0
TS-47	41	67.0	67.0	61.5	25.0	30.0	34.0
TS-48	41	76.0	76.0	70.5	30.0	30.0	34.0
TS-49	42	51.5	50.8	50.8	15.9	30.0	30.0
TS-50	42	51.5	50.8	50.8	19.1	30.0	30.0
TS-51	44	55.0	54.0	50.5	18.0	90.0	95.0
TS-52	48	30.0	29.2	28.5	12.0	12.0	15.0
TS-53	48	44.0	44.0	40.3	18.0	28.0	32.0
TS-54	48	44.0	44.0	40.5	12.0	25.0	29.0
TS-55	48	49.0	48.5	45.5	16.0	30.0	34.0
TS-56	48	49.0	48.5	45.5	17.0	17.0	21.0
TS-57	48	51.5	50.8	50.8	19.1	30.0	30.0
TS-58	48	55.0	53.5	51.0	20.5	35.0	39.0
TS-59	49	87.5	87.0	70.7	29.0	32.0	38.0
TS-60	50	44.0	42.0	40.3	13.0	20.0	24.0
TS-61	51	34.5	34.5	31.0	14.0	17.0	20.0
TS-62	51	44.0	44.0	40.5	14.0	14.0	18.0
TS-63	51	55.0	55.0	40.0	18.0	26.0	30.0
TS-64	51	58.0	57.9	57.9	18.7	33.0	39.4
TS-65	51	67.0	66.5	57.9	18.7	33.0	39.4
TS-66	51	85.0	84.0	64.2	25.0	35.0	41.0
TS-67	55	76.0	75.4	75.4	28.6	22.8	26.8
TS-68	56	76.0	75.4	75.4	28.6	35.1	38.6

コンミテーター寸法一覧表 (TS Type)

Takachiho industrial Co.,Ltd.

作成日 : 2020/2/12

List of " TAKACHIHO " Standard Commutators

(Dimensions in Millimeters)

ｺﾝﾐﾀｲﾌﾟ No	枚数 SB/n	基準径	ﾗｲﾌﾞ-径	ﾌﾞﾗｼ径	内径	ﾊﾞｰ長	全長
		φP	D1	D2	d	L1	L2
TS-69	57	55.0	55.0	53.5	23.0	23.0	27.0
TS-70	57	58.0	57.9	57.9	25.0	33.0	39.4
TS-71	57	67.0	66.5	57.9	25.0	33.0	39.4
TS-72	57	67.0	67.0	62.4	20.0	22.0	26.5
TS-73	57	67.0	67.0	62.5	23.0	31.0	38.0
TS-74	57	93.5	93.0	85.4	25.0	26.0	32.5
TS-75	57	94.5	94.2	76.4	30.2	38.9	48.4
TS-76	57	94.5	94.5	75.0	28.0	35.0	41.2
TS-77	60	41.0	40.0	28.5	10.0	20.0	26.0
TS-78	61	51.0	51.0	48.5	15.5	14.0	18.5
TS-79	61	52.0	52.0	47.0	16.0	25.0	29.0
TS-80	62	46.0	45.0	42.5	13.0	9.0	11.0
TS-81	63	49.0	48.5	45.5	17.0	17.0	21.0
TS-82	63	55.0	55.0	45.5	16.0	30.0	36.0
TS-83	63	62.0	61.7	44.0	19.1	25.4	28.4
TS-84	63	67.0	65.0	60.3	18.0	26.0	30.0
TS-85	63	85.0	77.0	64.2	28.0	35.0	41.0
TS-86	63	86.0	85.7	77.2	36.3	35.7	46.7
TS-87	63	87.5	87.5	75.3	31.5	45.0	57.0
TS-88	63	100.0	100.0	80.3	31.5	45.0	57.0
TS-89	63	100.0	100.0	80.3	32.0	58.0	70.0
TS-90	63	118.0	118.0	100.3	35.0	60.0	70.0
TS-91	63	118.0	118.0	100.3	35.0	80.0	90.0
TS-92	66	83.0	81.5	81.5	28.6	32.1	40.0
TS-93	68	67.0	66.5	57.9	18.7	33.0	39.4
TS-94	71	128.0	127.0	127.0	31.8	25.4	33.3
TS-95	72	55.0	55.0	51.0	20.0	20.0	26.0
TS-96	72	55.0	55.0	51.0	20.0	24.0	30.0
TS-97	72	67.0	66.0	61.0	25.0	25.0	32.0
TS-98	72	71.0	71.0	66.0	25.0	33.0	39.0
TS-99	72	93.5	93.5	86.0	35.0	35.0	41.0
TS-100	75	62.0	61.5	60.0	21.0	22.0	28.0
TS-101	75	67.0	35.0	35.0	21.0	30.0	37.0
TS-102	75	80.0	80.0	75.0	28.0	27.0	31.5

コンミテーター寸法一覧表 (TS Type)

Takachiho industrial Co.,Ltd.

作成日 : 2020/2/12

List of " TAKACHIHO " Standard Commutators

(Dimensions in Millimeters)

コンミテ No	枚数 SB/n	基準径	ラゲ-径	ブラジ径	内径	バー長	全長
		φP	D1	D2	d	L1	L2
TS-103	75	99.0	98.8	77.2	36.3	35.7	46.7
TS-104	75	101.5	101.0	91.0	35.0	45.0	51.0
TS-105	76	88.5	88.1	79.2	25.0	33.0	39.4
TS-106	80	50.0	48.5	45.5	16.0	30.0	36.0
TS-107	80	51.0	50.0	47.2	12.0	22.0	26.0
TS-108	83	76.0	75.4	75.2	28.6	22.8	26.8
TS-109	85	52.0	52.0	50.5	19.0	45.0	51.0
TS-110	95	94.5	94.2	79.2	25.0	33.0	39.4
TS-111	97	80.0	80.0	70.5	28.0	25.0	29.0
TS-112	99	128.0	127.0	111.5	49.8	54.0	79.4
TS-113	118	98.0	97.0	90.5	29.0	26.0	30.0
TS-114	125	83.0	82.0	80.5	26.0	13.0	23.0
TS-115	125	83.0	82.0	81.0	26.0	35.0	45.0

コンミテーター寸法一覧表 (TSR タイプ)

Takachiho industrial Co.,Ltd.

作成日 : 2020/2/12

List of " TAKACHIHO " Standard Commutators

(Dimensions in Millimeters)

コンミテーター No	枚数 SB/n	基準径 φP	ラッパ径 D1	ブッシング径 D2	内径 d	バール長 L1	全長 L2
TSR-1	16	34.5	34.5	30.3	12.0	28.0	30.0
TSR-2	21	45.0	65.0	44.0	15.0	41.5	50.0
TSR-3	24	36.6	36.5	35.2	13.0	19.0	23.0
TSR-4	24	43.0	42.0	38.4	15.5	25.0	31.0
TSR-5	28	31.0	30.2	30.2	10.5	15.5	20.0
TSR-6	28	31.0	30.8	30.2	12.0	19.0	23.5
TSR-7	29	44.0	44.0	29.0	18.0	15.0	35.0
TSR-8	29	76.0	76.0	54.5	19.5	38.0	45.5
TSR-9	32	31.0	30.2	30.2	10.5	19.0	24.0
TSR-10	32	34.5	34.0	30.0	12.0	24.0	26.0
TSR-11	32	39.3	39.0	37.0	12.0	24.5	30.0
TSR-12	32	39.3	39.0	37.0	15.0	24.5	30.0
TSR-13	32	39.3	39.0	38.8	14.5	24.5	30.0
TSR-14	32	36.5	36.0	35.2	13.0	29.0	34.5
TSR-15	32	36.6	36.5	34.5	14.7	21.0	25.0
TSR-16	36	33.5	33.2	33.2	10.5	28.0	33.5
TSR-17	36	36.6	36.2	36.2	15.0	28.0	33.5
TSR-18	36	39.0	38.2	38.2	12.0	20.0	25.5
TSR-19	36	41.0	41.0	40.2	15.0	34.0	36.0
TSR-20	36	41.0	41.0	40.2	16.0	34.0	36.0

コンミテーター寸法一覧表 (R Type)

Takachiho industrial Co.,Ltd.

作成日 : 2020/2/12

List of " TAKACHIHO " Standard Commutators

(Dimensions in Millimeters)

ｺﾝﾐﾀｲﾌﾟ No	枚数 SB/n	基準径 φP	ﾗｲﾌﾞ-径 D1	ﾌﾞﾗｼ径 D2	内径 d	ﾊﾞｰ長 L1	全長 L2
R-1	25	91.0	91.0	70.7	28.0	32.0	40.0
R-2	25	94.0	94.0	70.7	28.0	32.0	40.0
R-3	25	94.0	94.0	70.7	28.0	47.0	55.0
R-4	25	94.0	94.0	70.7	28.0	57.0	65.0
R-5	29	112.0	112.0	90.7	35.0	67.0	78.0
R-6	33	87.5	87.0	70.7	28.0	57.0	65.0
R-7	33	94.0	94.0	70.7	28.0	47.0	55.0
R-8	33	94.0	94.0	70.7	28.0	57.0	65.0
R-9	33	96.0	94.5	76.7	28.6	67.6	77.2
R-10	33	128.0	128.0	101.0	35.0	99.0	113.0
R-11	33	130.0	130.0	101.0	35.0	99.0	113.0
R-12	33	134.0	134.0	104.7	35.0	67.0	78.0
R-13	37	87.5	87.0	70.7	28.0	57.0	65.0
R-14	37	96.0	94.5	76.7	28.6	67.6	77.2
R-15	37	101.5	101.5	81.5	32.0	50.5	56.5
R-16	37	101.5	101.5	81.0	35.0	47.0	53.0
R-17	37	112.0	112.0	90.7	35.0	67.0	78.0
R-18	37	118.0	118.0	90.7	35.0	67.0	78.0
R-19	41	80.0	80.0	70.7	28.0	32.0	40.0
R-20	41	85.0	85.0	73.0	28.0	45.0	51.0
R-21	41	94.0	94.0	70.7	28.0	42.0	50.0
R-22	41	101.5	101.5	81.0	35.0	35.0	41.0
R-23	41	106.0	106.0	90.7	35.0	57.0	68.0
R-24	41	118.0	118.0	90.7	35.0	67.0	78.0
R-25	41	128.0	128.0	104.7	35.0	67.0	78.0
R-26	41	128.0	128.0	104.7	35.0	77.0	88.0
R-27	41	149.0	149.0	120.7	42.0	67.0	78.0
R-28	41	149.0	149.0	120.7	42.0	77.0	88.0
R-29	43	126.0	126.0	101.0	32.0	77.0	87.0
R-30	45	87.5	87.0	70.7	28.0	57.0	65.0
R-31	45	94.0	94.0	70.7	28.0	47.0	55.0
R-32	45	94.0	94.0	70.7	28.0	57.0	65.0
R-33	45	118.0	118.0	90.7	35.0	57.0	68.0
R-34	45	118.0	118.0	90.7	35.0	67.0	78.0

コンミテーター寸法一覧表 (R Type)

Takachiho industrial Co.,Ltd.

作成日 : 2020/2/12

List of " TAKACHIHO " Standard Commutators

(Dimensions in Millimeters)

ｺﾝﾐﾀｲﾌﾟ No	枚数 SB/n	基準径 φP	ﾗｲﾌﾞ-径 D1	ﾌﾞﾗｼ径 D2	内径 d	ﾊﾞｰ長 L1	全長 L2
R-35	46	83.0	82.0	78.5	21.0	54.0	59.0
R-36	47	101.5	100.0	80.0	30.3	42.0	48.0
R-37	48	44.0	44.0	40.5	14.0	20.0	24.0
R-38	49	59.0	56.5	57.5	22.0	79.0	80.0
R-39	49	81.0	80.0	66.0	23.0	41.0	46.0
R-40	49	87.5	87.0	70.7	28.0	57.0	65.0
R-41	49	110.0	110.0	81.0	30.0	57.0	63.0
R-42	49	118.0	118.0	90.7	35.0	57.0	68.0
R-43	49	122.0	122.0	104.7	35.0	67.0	78.0
R-44	49	128.0	128.0	104.7	35.0	67.0	78.0
R-45	49	149.0	149.0	120.7	42.0	67.0	78.0
R-46	50	112.0	112.0	90.7	35.0	67.0	78.0
R-47	51	81.0	81.0	72.0	30.0	41.0	51.0
R-48	51	128.0	127.0	98.0	30.0	91.0	102.0
R-49	53	101.5	101.5	81.0	30.0	57.0	61.5
R-50	53	124.0	124.0	100.5	35.0	57.0	63.0
R-51	57	93.5	92.0	75.0	28.6	46.5	54.3
R-52	57	124.0	124.0	101.0	35.0	47.0	53.0
R-53	57	124.0	124.0	101.0	35.0	57.0	63.0
R-54	57	130.0	130.0	106.0	40.0	79.0	93.0
R-55	57	134.0	134.0	104.7	35.0	57.0	68.0
R-56	57	142.0	139.5	111.0	35.0	95.0	115.0
R-57	57	228.0	228.0	181.0	56.0	190.0	210.0
R-58	60	85.0	83.0	81.0	28.0	27.0	33.0
R-59	60	243.0	230.0	211.0	74.0	274.0	304.0
R-60	61	101.5	101.5	81.0	32.0	47.0	53.0
R-61	61	106.0	106.0	90.7	35.0	57.0	68.0
R-62	61	108.0	108.0	86.0	32.0	47.0	53.0
R-63	61	110.0	110.0	90.7	35.0	57.0	68.0
R-64	61	118.0	118.0	90.7	35.0	57.0	68.0
R-65	62	74.5	72.0	66.5	25.0	61.0	64.0
R-66	62	96.5	96.0	90.5	35.0	61.0	71.0
R-67	63	48.5	40.0	33.0	12.0	29.0	34.0
R-68	63	48.5	48.0	34.0	12.0	29.0	34.0

コンミテーター寸法一覧表 (R Type)

Takachiho industrial Co.,Ltd.

作成日 : 2020/2/12

List of " TAKACHIHO " Standard Commutators

(Dimensions in Millimeters)

ｺﾝﾐﾀｲﾌﾟ No	枚数 SB/n	基準径 φP	ﾗｲﾌﾞ-径 D1	ﾌﾞﾗｼ径 D2	内径 d	ﾊﾞｰ長 L1	全長 L2
R-69	63	67.0	66.0	60.5	18.0	29.5	38.0
R-70	63	101.5	100.0	80.3	31.5	45.0	57.0
R-71	63	101.5	100.0	85.7	34.0	80.0	92.0
R-72	63	101.5	101.5	90.5	32.0	50.0	64.0
R-73	63	112.0	112.0	92.2	28.0	30.0	38.0
R-74	63	118.0	117.0	96.0	33.0	140.0	150.0
R-75	63	142.0	142.0	120.3	35.0	80.0	90.0
R-76	65	87.5	87.0	70.7	28.0	37.0	45.0
R-77	65	87.5	87.0	70.7	28.0	57.0	65.0
R-78	65	104.0	104.0	81.0	32.0	35.0	39.5
R-79	65	104.0	104.0	81.0	32.0	47.0	51.5
R-80	65	110.0	110.0	86.0	32.0	47.0	53.0
R-81	65	110.0	110.0	86.0	32.0	57.0	63.0
R-82	65	145.0	145.0	120.7	42.0	67.0	78.0
R-83	65	177.0	177.0	151.0	40.0	57.0	73.0
R-84	65	190.0	190.0	151.0	40.0	57.0	74.0
R-85	66	145.0	145.0	120.7	42.0	77.0	88.0
R-86	69	118.0	118.0	90.7	35.0	47.0	58.0
R-87	69	118.0	118.0	90.7	35.0	57.0	68.0
R-88	72	80.0	80.0	75.5	28.0	34.5	45.0
R-89	73	243.0	243.0	200.7	60.0	80.0	103.0
R-90	75	80.0	70.0	67.0	23.0	45.0	49.0
R-91	75	80.0	76.0	71.0	20.0	25.0	29.0
R-92	75	80.0	79.0	71.0	20.0	25.0	29.0
R-93	75	80.0	80.0	65.5	21.0	45.0	49.0
R-94	75	81.0	80.0	77.0	30.0	70.0	80.0
R-95	75	85.0	85.0	78.5	25.0	49.0	55.0
R-96	75	85.0	85.0	80.3	30.0	35.0	41.0
R-97	75	101.5	101.0	81.0	28.0	100.0	120.0
R-98	75	110.0	105.0	95.7	35.0	40.0	50.0
R-99	75	110.0	110.0	95.3	33.0	40.0	50.0
R-100	75	110.0	110.0	95.3	33.0	63.0	73.0
R-101	75	110.0	110.0	95.3	35.0	63.0	73.0
R-102	75	110.0	110.0	95.7	35.0	40.0	50.0

コンミテーター寸法一覧表 (R Type)

Takachiho industrial Co.,Ltd.

作成日 : 2020/2/12

List of " TAKACHIHO " Standard Commutators

(Dimensions in Millimeters)

ｺﾝﾐﾀｲﾌﾟ No	枚数 SB/n	基準径	ﾗｲﾌﾞ-径	ﾌﾞﾗｼ径	内径	ﾊﾞｰ長	全長
		φP	D1	D2	d	L1	L2
R-103	75	142.0	142.0	120.3	35.0	70.0	80.0
R-104	75	156.0	155.0	126.0	42.0	52.0	67.0
R-105	75	217.6	217.6	171.0	52.0	120.0	160.0
R-106	75	262.0	260.0	181.0	67.0	130.0	165.0
R-107	80	101.5	101.5	90.5	32.0	50.0	64.0
R-108	81	59.0	58.0	51.0	15.5	25.0	31.0
R-109	81	112.0	112.0	101.0	38.0	65.0	75.0
R-110	81	112.0	112.0	101.0	42.0	40.0	50.0
R-111	81	112.0	112.0	101.0	42.0	65.0	75.0
R-112	81	152.0	152.0	116.0	40.0	57.0	71.0
R-113	81	153.5	153.0	125.0	55.0	78.0	113.0
R-114	81	159.0	159.0	130.5	56.0	97.0	117.0
R-115	81	190.0	190.0	151.0	40.0	57.0	74.0
R-116	81	207.0	205.0	160.0	70.0	114.5	152.5
R-117	81	217.6	217.6	171.0	67.0	76.0	101.0
R-118	81	217.6	217.6	171.0	67.0	150.0	175.0
R-119	84	110.0	110.0	100.0	36.0	47.5	52.0
R-120	84	115.0	115.0	104.6	36.3	40.0	52.8
R-121	84	115.0	115.0	104.6	36.3	53.0	65.8
R-122	84	115.0	115.0	104.6	36.3	78.0	90.8
R-123	84	120.0	120.0	96.0	33.0	80.0	90.0
R-124	84	120.0	120.0	96.0	33.0	120.0	130.0
R-125	87	93.5	86.0	82.5	26.0	45.0	57.0
R-126	87	112.0	112.0	101.0	42.0	40.0	66.0
R-127	87	112.0	112.0	101.0	47.0	40.0	66.0
R-128	87	153.5	153.2	128.4	51.4	53.0	69.0
R-129	87	153.5	153.2	128.4	51.4	78.5	94.5
R-130	87	153.5	153.2	132.0	51.4	78.5	97.8
R-131	87	164.0	164.0	117.0	40.0	90.0	100.0
R-132	87	164.0	164.0	135.0	41.0	110.0	124.5
R-133	87	164.0	164.0	135.0	41.0	140.0	154.5
R-134	87	190.0	188.0	161.0	60.0	110.0	138.0
R-135	87	190.0	190.0	151.0	40.0	57.0	74.0
R-136	87	197.0	196.8	176.0	40.5	73.2	179.1

コンミテーター寸法一覧表 (R Type)

Takachiho industrial Co.,Ltd.

作成日 : 2020/2/12

List of " TAKACHIHO " Standard Commutators

(Dimensions in Millimeters)

ｺﾝﾐﾀｲﾌﾟ No	枚数 SB/n	基準径 φP	ﾗｲﾌﾞ-径 D1	ﾌﾞﾗｼ径 D2	内径 d	ﾊﾞｰ長 L1	全長 L2
R-137	87	197.0	196.9	176.0	40.5	73.2	179.1
R-138	87	217.6	213.7	172.7	57.0	108.0	212.6
R-139	87	217.6	213.7	172.7	73.0	108.0	212.6
R-140	87	217.6	217.6	171.0	67.0	150.0	175.0
R-141	90	243.0	241.3	192.0	73.0	107.9	238.0
R-142	90	262.0	260.0	187.0	64.0	295.0	330.0
R-143	91	190.0	190.0	149.4	60.3	107.2	129.8
R-144	91	277.0	276.4	228.7	82.9	111.2	136.6
R-145	93	153.5	153.0	125.0	55.0	78.0	103.0
R-146	93	153.5	153.0	125.0	55.0	78.0	113.0
R-147	93	262.0	260.0	181.0	67.0	130.0	165.0
R-148	93	262.0	262.0	182.0	67.0	130.0	165.0
R-149	97	80.0	80.0	74.0	40.5	60.0	62.0
R-150	99	80.0	80.0	71.0	20.0	25.0	29.0
R-151	99	110.0	108.0	96.5	39.0	29.0	33.5
R-152	99	152.0	152.0	142.0	64.0	70.0	106.0
R-153	99	153.5	152.4	111.5	49.8	79.4	104.8
R-154	99	162.0	156.0	130.7	55.0	50.0	60.0
R-155	99	207.0	206.0	171.0	57.0	140.0	165.0
R-156	99	217.6	213.7	172.7	57.0	108.0	210.0
R-157	99	217.6	213.7	172.7	57.0	108.0	212.6
R-158	99	228.0	225.5	177.8	60.3	96.7	130.5
R-159	99	228.0	228.0	211.0	113.0	137.0	215.0
R-160	100	138.0	138.0	114.0	45.0	50.0	56.0
R-161	101	128.0	127.0	111.2	77.8	40.5	45.0
R-162	102	245.0	245.0	188.7	73.0	113.8	137.7
R-163	102	318.0	316.0	261.0	79.5	300.0	345.0
R-164	102	318.0	316.0	261.0	80.0	300.0	345.0
R-165	105	76.0	76.0	71.0	20.0	25.0	31.5
R-166	105	115.0	115.0	104.6	36.3	40.0	52.8
R-167	105	115.0	115.0	104.6	36.3	53.0	65.8
R-168	105	122.0	121.4	104.6	36.3	53.0	65.8
R-169	105	122.0	121.4	104.6	36.3	78.0	90.8
R-170	105	152.0	152.0	142.0	64.5	40.0	76.0

コンミテーター寸法一覧表 (R Type)

Takachiho industrial Co.,Ltd.

作成日 : 2020/2/12

List of " TAKACHIHO " Standard Commutators

(Dimensions in Millimeters)

ｺﾝﾐﾀｲﾌﾟ No	枚数 SB/n	基準径	ﾗｲﾌﾞ-径	ﾌﾞﾗｼ径	内径	ﾊﾞｰ長	全長
		φP	D1	D2	d	L1	L2
R-171	105	162.0	161.0	160.5	70.0	137.0	154.0
R-172	105	162.0	161.0	160.5	70.0	146.0	156.0
R-173	105	172.0	171.0	160.5	70.0	80.0	90.0
R-174	105	197.0	197.0	185.0	72.0	105.0	143.0
R-175	111	110.0	108.0	96.5	39.0	29.0	33.5
R-176	111	110.0	109.0	97.0	39.0	29.0	33.5
R-177	111	125.0	125.0	110.5	43.0	68.0	88.0
R-178	111	125.0	125.0	110.5	43.0	45.0	65.0
R-179	111	162.0	162.0	156.0	54.0	70.0	104.0
R-180	111	174.5	174.5	149.4	60.3	91.4	114.0
R-181	111	174.5	174.5	149.4	60.3	66.0	88.6
R-182	111	190.0	190.0	149.4	60.3	107.2	129.8
R-183	111	197.0	197.0	180.0	62.0	106.0	151.0
R-184	111	197.0	197.0	181.0	92.0	137.0	215.0
R-185	111	217.6	217.6	171.0	65.0	106.0	131.0
R-186	111	217.6	217.6	171.0	67.0	76.0	101.0
R-187	111	217.6	217.6	171.0	67.0	46.0	71.0
R-188	111	217.6	217.6	171.0	67.0	150.0	175.0
R-189	111	217.6	217.6	171.0	68.0	106.0	131.0
R-190	111	228.0	225.5	177.8	60.3	107.0	130.5
R-191	114	228.0	228.0	211.0	113.0	137.0	215.0
R-192	114	236.0	236.0	194.0	73.0	94.0	126.0
R-193	114	243.0	241.3	192.0	73.0	95.2	225.3
R-194	114	277.0	276.4	228.7	82.9	111.2	136.6
R-195	114	162.0	161.0	160.5	70.0	174.0	191.0
R-196	114	217.6	217.6	171.0	67.0	150.0	175.0
R-197	115	128.0	125.0	111.0	36.0	40.0	44.5
R-198	115	132.0	131.0	119.0	45.0	30.0	40.0
R-199	115	153.5	153.2	128.4	51.4	53.0	69.0
R-200	115	153.5	153.2	128.4	51.4	78.5	94.5
R-201	115	197.0	196.9	176.0	40.5	98.6	210.8
R-202	117	128.0	127.5	110.4	77.8	28.6	33.1
R-203	117	128.0	127.0	109.5	77.8	28.6	33.1
R-204	117	128.0	127.5	110.5	77.8	28.6	33.1

コンミテーター寸法一覧表 (R Type)

Takachiho industrial Co.,Ltd.

作成日 : 2020/2/12

List of " TAKACHIHO " Standard Commutators

(Dimensions in Millimeters)

ｺﾝﾐﾀｲﾌﾟ No	枚数 SB/n	基準径	ﾗｲﾌﾞ-径	ﾌﾞﾗｼ径	内径	ﾊﾞｰ長	全長
		φP	D1	D2	d	L1	L2
R-205	117	172.0	171.0	160.5	70.0	63.0	80.0
R-206	117	283.0	283.0	241.0	75.0	120.0	140.0
R-207	117	283.0	283.0	241.0	75.0	160.0	180.0
R-208	117	283.0	283.0	241.0	80.0	160.0	180.0
R-209	117	283.0	283.0	241.0	80.0	200.0	220.0
R-210	122	162.0	161.0	143.0	76.0	41.0	60.0
R-211	122	180.0	179.0	143.0	76.0	82.0	96.0
R-212	123	110.0	110.0	97.0	35.5	29.0	40.0
R-213	123	159.0	159.0	130.5	56.0	61.0	81.0
R-214	123	159.0	159.0	130.5	56.0	97.0	117.0
R-215	123	162.0	161.0	141.0	55.0	86.0	106.0
R-216	123	190.0	190.0	149.4	60.3	107.2	129.8
R-217	123	190.0	190.0	171.0	67.0	120.0	148.0
R-218	123	190.0	190.0	171.0	67.0	150.0	178.0
R-219	123	197.0	197.0	181.0	69.0	137.0	215.0
R-220	123	217.6	217.6	171.0	52.0	95.0	135.0
R-221	123	262.0	262.0	245.0	80.5	139.0	159.0
R-222	123	283.0	274.0	226.7	65.0	95.0	115.0
R-223	123	294.0	285.0	223.0	100.0	150.0	248.0
R-224	123	294.0	293.0	275.0	89.0	139.0	159.0
R-225	124	338.6	324.0	321.0	127.0	377.0	405.0
R-226	125	83.0	83.0	70.5	25.0	65.0	71.0
R-227	125	120.0	109.0	100.0	38.0	35.0	63.0
R-228	125	120.0	120.0	100.0	38.0	35.0	63.0
R-229	125	243.0	243.0	200.7	60.0	80.0	103.0
R-230	126	318.0	318.0	240.0	80.0	180.0	210.0
R-231	126	338.6	336.0	271.0	100.0	185.0	205.0
R-232	126	338.6	336.0	272.0	110.0	185.0	205.0
R-233	126	406.0	406.0	331.0	122.0	250.0	290.0
R-234	129	162.0	161.0	160.5	70.0	122.0	132.0
R-235	129	172.0	171.0	160.5	70.0	80.0	90.0
R-236	129	207.0	206.0	171.0	57.0	70.0	95.0
R-237	129	207.0	206.0	171.0	57.0	90.0	115.0
R-238	129	207.0	206.0	178.0	60.0	106.0	136.0

コンミテーター寸法一覧表 (R Type)

Takachiho industrial Co.,Ltd.

作成日 : 2020/2/12

List of " TAKACHIHO " Standard Commutators

(Dimensions in Millimeters)

ｺﾝﾐﾀｲﾌﾟ No	枚数 SB/n	基準径 φP	ﾗｲﾌﾞ-径 D1	ﾌﾞﾗｼ径 D2	内径 d	ﾊﾞｰ長 L1	全長 L2
R-239	129	217.6	217.6	171.0	67.0	46.0	71.0
R-240	129	217.6	217.6	171.0	67.0	76.0	101.0
R-241	129	217.6	217.6	171.0	67.0	106.0	131.0
R-242	129	228.0	228.0	202.0	59.0	108.0	143.0
R-243	132	300.8	300.8	300.0	113.0	280.0	300.0
R-244	132	338.6	324.0	321.0	127.0	262.0	290.0
R-245	132	338.6	324.0	321.0	127.0	377.0	405.0
R-246	132	338.6	324.0	321.0	128.0	297.0	325.0
R-247	132	338.6	324.0	321.0	128.0	337.0	365.0
R-248	135	112.0	112.0	104.0	50.0	30.0	45.5
R-249	135	132.0	132.0	120.0	60.0	42.0	67.0
R-250	135	138.0	138.0	114.0	45.0	50.0	56.0
R-251	135	142.0	142.0	120.0	60.0	84.0	101.0
R-252	135	149.0	148.0	110.0	37.0	75.0	95.0
R-253	135	152.0	152.0	128.0	43.0	65.0	90.0
R-254	135	152.0	152.0	128.0	43.0	115.0	140.0
R-255	135	152.0	143.0	128.0	44.0	73.5	103.5
R-256	135	153.5	153.0	125.0	55.0	78.0	113.0
R-257	135	162.0	162.0	149.0	80.0	48.0	81.0
R-258	135	162.0	162.0	156.0	54.0	70.0	104.0
R-259	135	172.0	172.0	161.0	60.0	60.0	91.0
R-260	135	190.0	190.0	149.4	60.3	107.2	129.8
R-261	135	190.0	190.0	161.0	50.0	195.0	215.0
R-262	135	197.0	197.0	185.0	63.0	70.0	108.0
R-263	135	197.0	197.0	185.0	63.0	106.0	144.0
R-264	135	207.0	206.0	171.0	57.0	70.0	95.0
R-265	135	207.0	206.0	171.0	57.0	90.0	115.0
R-266	135	207.0	206.0	171.0	57.0	140.0	165.0
R-267	135	207.0	207.0	161.0	67.0	93.0	113.0
R-268	135	217.6	217.6	171.0	52.0	95.0	135.0
R-269	135	217.6	217.6	171.0	67.0	46.0	71.0
R-270	135	217.6	217.6	171.0	67.0	76.0	101.0
R-271	135	217.6	217.6	171.0	67.0	106.0	131.0
R-272	135	338.6	336.0	271.0	100.0	185.0	205.0

コンミテーター寸法一覧表 (R Type)

Takachiho industrial Co.,Ltd.

作成日 : 2020/2/12

List of " TAKACHIHO " Standard Commutators (Dimensions in Millimeters)

コンタイプ No	枚数 SB/n	基準径	ラゲ-径	ブラジ径	内径	バ-長	全長
		φP	D1	D2	d	L1	L2
R-273	136	243.0	241.3	192.0	73.0	107.9	238.0
R-274	138	207.0	205.5	205.5	95.0	215.0	235.0
R-275	138	308.0	308.0	245.0	76.0	180.0	200.0
R-276	138	308.0	308.0	245.0	78.0	180.0	200.0
R-277	138	338.6	324.0	321.0	127.0	337.0	365.0
R-278	138	243.0	240.5	240.5	100.0	215.0	235.0
R-279	141	207.0	205.5	205.5	95.0	105.0	125.0
R-280	141	207.0	205.5	205.5	95.0	140.0	160.0
R-281	141	243.0	240.5	240.5	100.0	150.0	170.0
R-282	141	338.6	324.0	321.0	128.0	222.0	250.0
R-283	145	153.5	153.2	128.4	51.4	53.0	69.0
R-284	145	153.5	153.2	128.4	51.4	78.5	94.5
R-285	145	153.5	153.2	128.4	51.4	78.5	94.5
R-286	145	153.5	153.2	132.0	51.4	53.0	72.3
R-287	145	168.0	168.0	151.0	79.0	101.0	175.0
R-288	145	190.0	188.0	146.0	47.0	75.0	115.0
R-289	145	190.0	188.0	147.0	50.0	65.0	85.0
R-290	145	190.0	188.0	147.0	50.0	75.0	95.0
R-291	145	190.0	188.0	156.0	51.0	75.0	92.0
R-292	145	190.0	188.0	156.0	51.0	72.0	89.0
R-293	145	190.0	188.0	156.0	51.0	68.5	85.5
R-294	145	207.0	206.0	171.0	57.0	90.0	115.0
R-295	145	217.6	217.6	171.0	52.0	60.0	100.0
R-296	145	217.6	217.6	171.0	67.0	46.0	71.0
R-297	145	217.6	217.6	171.0	67.0	106.0	131.0
R-298	147	120.0	120.0	97.0	35.5	29.0	40.0
R-299	147	120.0	120.0	97.0	35.5	67.0	78.0
R-300	147	190.0	190.0	181.0	68.0	90.0	120.0
R-301	147	217.6	216.0	201.0	73.0	115.0	148.0
R-302	147	228.0	225.5	177.8	60.3	107.0	130.5
R-303	147	277.0	276.4	228.7	82.9	111.2	136.6
R-304	147	294.0	293.0	275.0	89.0	139.0	159.0
R-305	148	338.6	324.0	321.0	128.0	337.0	365.0
R-306	150	300.8	300.0	281.0	83.0	160.0	180.0

コンミテーター寸法一覧表 (R Type)

Takachiho industrial Co.,Ltd.

作成日 : 2020/2/12

List of " TAKACHIHO " Standard Commutators

(Dimensions in Millimeters)

ｺﾝﾐﾀｲﾌﾟ No	枚数 SB/n	基準径 φP	ﾗｲﾌﾞ-径 D1	ﾌﾞﾗｼ径 D2	内径 d	ﾊﾞｰ長 L1	全長 L2
R-307	150	338.6	320.0	280.0	112.0	177.0	197.0
R-308	150	338.6	324.0	321.0	127.0	297.0	325.0
R-309	150	338.6	324.0	321.0	128.0	337.0	365.0
R-310	150	338.6	336.0	271.0	100.0	185.0	205.0
R-311	150	406.0	406.0	331.0	122.0	230.0	250.0
R-312	151	142.0	130.0	128.0	30.0	30.0	40.0
R-313	152	162.0	161.0	160.5	70.0	137.0	154.0
R-314	153	277.0	270.0	205.0	86.0	228.0	285.0
R-315	155	162.0	161.0	160.5	70.0	100.0	117.0
R-316	155	207.0	206.0	171.0	57.0	70.0	95.0
R-317	155	207.0	206.0	171.0	72.0	140.0	165.0
R-318	156	142.0	139.0	115.0	35.0	30.0	40.0
R-319	162	406.0	404.0	401.0	160.0	307.0	335.0
R-320	162	406.0	404.0	401.0	160.0	347.0	375.0
R-321	162	406.0	406.0	331.0	122.0	230.0	250.0
R-322	165	197.0	197.0	181.0	92.0	137.0	215.0
R-323	165	217.6	210.0	183.0	86.0	104.0	176.0
R-324	165	217.6	216.0	172.0	70.0	106.0	116.0
R-325	165	217.6	217.6	171.0	67.0	46.0	71.0
R-326	165	217.6	217.6	171.0	67.0	76.0	101.0
R-327	165	217.6	217.6	171.0	67.0	106.0	131.0
R-328	165	217.6	217.6	171.0	67.0	150.0	175.0
R-329	165	217.6	217.6	171.0	75.0	76.0	101.0
R-330	165	228.0	228.0	211.0	113.0	103.0	181.0
R-331	168	277.0	276.4	228.7	82.9	111.2	136.6
R-332	171	172.0	172.0	151.0	80.0	77.0	108.0
R-333	171	228.0	225.5	177.8	60.3	107.0	130.5
R-334	171	262.0	262.0	245.0	81.0	139.0	159.0
R-335	171	338.6	336.0	271.0	100.0	105.0	125.0
R-336	174	338.6	336.0	271.0	100.0	185.0	205.0
R-337	174	338.6	324.0	321.0	127.0	262.0	290.0
R-338	174	338.6	324.0	321.0	128.0	297.0	325.0
R-339	174	338.6	324.0	321.0	128.0	337.0	365.0
R-340	174	406.0	406.0	331.0	120.0	230.0	250.0

コンミテーター寸法一覧表 (R Type)

Takachiho industrial Co.,Ltd.

作成日 : 2020/2/12

List of " TAKACHIHO " Standard Commutators

(Dimensions in Millimeters)

ｺﾝﾐﾀｲﾌﾟ No	枚数 SB/n	基準径	ﾗｲﾌﾞ-径	ﾌﾞﾗｼ径	内径	ﾊﾞｰ長	全長
		φP	D1	D2	d	L1	L2
R-341	175	172.0	171.0	160.5	70.0	80.0	90.0
R-342	175	172.0	171.0	160.5	70.0	100.0	110.0
R-343	175	172.0	171.0	160.5	70.0	150.0	160.0
R-344	175	207.0	206.0	171.0	57.0	70.0	95.0
R-345	175	207.0	206.0	171.0	57.0	90.0	115.0
R-346	184	207.0	205.5	205.5	95.0	140.0	160.0
R-347	184	228.0	228.0	202.0	72.0	108.0	130.5
R-348	184	243.0	240.5	240.5	100.0	180.0	200.0
R-349	184	262.0	262.0	245.0	80.5	139.0	159.0
R-350	185	197.0	197.0	181.0	92.0	103.0	181.0
R-351	185	207.0	206.0	171.0	57.0	70.0	95.0
R-352	185	207.0	206.0	171.0	57.0	90.0	115.0
R-353	185	217.6	217.6	171.0	52.0	95.0	135.0
R-354	185	228.0	228.0	201.0	70.0	70.0	90.0
R-355	186	338.6	324.0	321.0	127.0	262.0	290.0
R-356	186	338.6	324.0	321.0	128.0	297.0	325.0
R-357	186	338.6	336.0	271.0	100.0	185.0	205.0
R-358	186	406.0	404.0	401.0	160.0	347.0	375.0
R-359	190	330.0	330.0	253.0	115.0	187.0	275.0
R-360	195	294.0	294.0	241.0	78.0	120.0	140.0
R-361	195	338.6	336.0	271.0	100.0	104.0	125.0
R-362	198	338.6	336.0	271.0	100.0	185.0	205.0
R-363	198	406.0	406.0	331.0	122.0	230.0	250.0
R-364	200	338.6	324.0	321.0	127.0	262.0	290.0
R-365	200	338.6	324.0	321.0	128.0	297.0	325.0
R-366	201	338.6	324.0	321.0	128.0	222.0	250.0
R-367	205	207.0	205.5	205.5	95.0	105.0	125.0
R-368	205	262.0	258.0	201.0	85.0	98.0	123.0
R-369	205	277.0	276.4	228.7	82.9	111.2	136.6
R-370	205	283.0	280.0	236.0	85.0	139.0	169.0
R-371	205	294.0	293.0	275.0	89.0	139.0	159.0
R-372	207	406.0	404.0	401.0	160.0	307.0	335.0
R-373	207	406.0	404.0	401.0	160.0	347.0	375.0
R-374	210	261.5	260.0	227.0	125.0	150.0	235.0

コンミテーター寸法一覧表 (R Type)

Takachiho industrial Co.,Ltd.

作成日 : 2020/2/12

List of " TAKACHIHO " Standard Commutators (Dimensions in Millimeters)

コンタイプ No	枚数 SB/n	基準径	ラゲージ径	ブラジ径	内径	バール長	全長
		φP	D1	D2	d	L1	L2
R-375	210	277.0	276.4	228.7	82.9	111.2	136.6
R-376	210	294.0	293.0	275.0	89.0	139.0	159.0
R-377	210	338.6	324.0	321.0	128.0	222.0	250.0
R-378	210	406.0	390.0	331.0	120.0	230.0	250.0
R-379	210	406.0	406.0	331.0	120.0	230.0	250.0
R-380	216	262.0	262.0	245.0	80.5	139.0	159.0
R-381	216	283.0	283.0	280.5	112.0	120.0	140.0
R-382	222	338.6	324.0	321.0	128.0	297.0	325.0
R-383	222	338.6	338.6	266.0	120.0	221.0	269.0
R-384	225	406.0	404.0	401.0	160.0	232.0	260.0
R-385	225	406.0	404.0	401.0	160.0	272.0	300.0
R-386	225	406.0	404.0	401.0	160.0	307.0	335.0
R-387	225	406.0	404.0	401.0	160.0	347.0	375.0
R-388	230	243.0	240.5	240.5	100.0	180.0	200.0
R-389	232	338.6	324.0	321.0	128.0	297.0	325.0
R-390	232	406.0	406.0	331.0	122.0	160.0	180.0
R-391	235	243.0	240.5	240.5	100.0	112.0	132.0
R-392	243	406.0	404.0	401.0	160.0	272.0	300.0
R-393	243	406.0	404.0	401.0	160.0	307.0	335.0
R-394	261	406.0	404.0	401.0	160.0	272.0	300.0
R-395	279	530.0	504.0	501.0	160.0	250.0	280.0
R-396	312	555.0	554.0	550.0	186.0	270.0	300.0
R-397	312	555.0	554.0	550.0	246.0	350.0	380.0
R-398	324	530.0	504.0	501.0	160.0	250.0	280.0
R-399	324	530.0	504.0	501.0	160.0	300.0	330.0
R-400	324	555.0	554.0	550.0	186.0	270.0	300.0

コンミテーター寸法一覧表 (AR Type)

Takachiho industrial Co.,Ltd.

作成日：2020/2/12

List of " TAKACHIHO " Standard Commutators

(Dimensions in Millimeters)

コンタイプ No	SB/n	基準径 φP	ラゲージ径 D1	ブラジ径 D2	内径 d	バー長 L1	全長 L2
AR-1	60	162.0	203.6	161.0	53.0	160.0	180.0
AR-2	84	277.0	370.0	271.0	102.0	280.0	320.0
AR-3	102	277.0	370.0	271.0	102.0	200.0	240.0
AR-4	111	202.0	286.0	201.0	85.0	135.0	160.0
AR-5	114	262.0	340.0	261.0	95.0	252.0	282.0
AR-6	114	262.0	365.0	261.0	95.0	252.0	282.0
AR-7	114	294.0	410.0	291.0	125.0	260.0	295.0
AR-8	114	294.0	411.0	291.0	125.0	260.0	295.0
AR-9	123	202.0	286.0	201.0	85.0	135.0	160.0
AR-10	123	262.0	365.0	261.0	95.0	172.0	202.0
AR-11	124	338.6	428.0	330.0	135.0	250.0	280.0
AR-12	126	202.0	260.0	182.0	55.0	185.0	220.0
AR-13	129	262.0	340.0	261.0	95.0	172.0	202.0
AR-14	129	262.0	365.0	261.0	95.0	172.0	202.0
AR-15	132	294.0	380.0	291.0	124.0	211.0	231.0
AR-16	135	202.0	260.0	201.0	85.0	98.0	123.0
AR-17	135	202.0	260.0	201.0	85.0	135.0	160.0
AR-18	135	202.0	286.0	201.0	85.0	95.0	123.0
AR-19	135	202.0	286.0	201.0	85.0	135.0	160.0
AR-20	135	202.0	286.0	201.0	87.0	98.0	123.0
AR-21	135	262.0	335.0	251.0	107.0	190.0	210.0
AR-22	135	262.0	365.0	261.0	95.0	172.0	202.0
AR-23	136	202.0	286.0	201.0	85.0	172.0	197.0
AR-24	138	202.0	260.0	201.0	85.0	172.0	197.0
AR-25	138	243.0	310.0	241.0	100.0	180.0	200.0
AR-26	138	294.0	411.0	291.0	123.0	260.0	295.0
AR-27	138	294.0	410.0	291.0	125.0	215.0	250.0
AR-28	138	294.0	410.0	291.0	125.0	260.0	295.0
AR-29	140	385.0	490.0	382.0	147.0	284.0	314.0
AR-30	141	202.0	286.0	201.0	85.0	98.0	123.0
AR-31	141	202.0	286.0	201.0	85.0	135.0	160.0
AR-32	147	202.0	260.0	201.0	85.0	135.0	160.0
AR-33	147	202.0	286.0	201.0	85.0	98.0	123.0
AR-34	150	262.0	334.0	251.0	107.0	211.0	231.0
AR-35	150	262.0	340.0	261.0	95.0	209.0	239.0

コンミテーター寸法一覧表 (AR Type)

Takachiho industrial Co.,Ltd.

作成日：2020/2/12

List of " TAKACHIHO " Standard Commutators

(Dimensions in Millimeters)

コンタイプ No	SB/n	基準径 φP	ラゲ-径 D1	ブラジ径 D2	内径 d	バー長 L1	全長 L2
AR-36	150	262.0	365.0	261.0	95.0	252.0	282.0
AR-37	150	277.0	370.0	272.0	102.0	200.0	240.0
AR-38	152	202.0	286.0	201.0	85.0	135.0	160.0
AR-39	152	202.0	286.0	201.0	85.0	172.0	197.0
AR-40	152	294.0	410.0	291.0	125.0	215.0	250.0
AR-41	153	262.0	365.0	261.0	95.0	172.0	202.0
AR-42	153	277.0	397.0	271.0	125.0	200.0	240.0
AR-43	159	262.0	334.0	251.0	107.0	190.0	210.0
AR-44	160	338.6	330.0	221.0	86.0	103.0	123.0
AR-45	162	262.0	330.0	252.0	106.0	211.0	236.0
AR-46	162	262.0	334.0	251.0	107.0	211.0	231.0
AR-47	162	262.0	365.0	261.0	95.0	209.0	239.0
AR-48	162	338.6	428.0	330.0	135.0	250.0	280.0
AR-49	162	338.6	431.0	332.0	135.0	250.0	280.0
AR-50	165	202.0	286.0	201.0	85.0	98.0	123.0
AR-51	174	294.0	380.0	291.0	124.0	211.0	231.0
AR-52	175	202.0	260.0	201.0	85.0	135.0	160.0
AR-53	175	202.0	260.0	201.0	85.0	172.0	197.0
AR-54	184	202.0	260.0	201.0	85.0	172.0	197.0
AR-55	184	202.0	286.0	201.0	83.0	172.0	197.0
AR-56	184	202.0	286.0	201.0	85.0	135.0	160.0
AR-57	184	202.0	286.0	201.0	85.0	172.0	197.0
AR-58	184	202.0	286.0	201.0	87.0	135.0	160.0
AR-59	184	262.0	365.0	261.0	95.0	172.0	202.0
AR-60	184	262.0	365.0	261.0	95.0	209.0	239.0
AR-61	184	294.0	410.0	291.0	125.0	170.0	205.0
AR-62	184	294.0	410.0	291.0	125.0	215.0	250.0
AR-63	185	202.0	260.0	201.0	85.0	135.0	160.0
AR-64	185	202.0	286.0	201.0	85.0	98.0	123.0
AR-65	195	202.0	286.0	201.0	85.0	98.0	123.0
AR-66	195	262.0	340.0	261.0	95.0	172.0	202.0
AR-67	198	277.0	370.0	272.0	102.0	200.0	240.0
AR-68	200	262.0	365.0	261.0	95.0	172.0	202.0
AR-69	200	262.0	365.0	261.0	95.0	209.0	239.0
AR-70	205	262.0	340.0	261.0	95.0	172.0	202.0

コンミテーター寸法一覧表 (AR Type)

Takachiho industrial Co.,Ltd.

作成日 : 2020/2/12

List of " TAKACHIHO " Standard Commutators

(Dimensions in Millimeters)

コンミテーター No	SB/n	基準径 φP	ラゲージ径 D1	ブラジ径 D2	内径 d	バネ長 L1	全長 L2
AR-71	205	262.0	365.0	261.0	95.0	172.0	202.0
AR-72	210	338.6	425.0	331.0	135.0	250.0	280.0
AR-73	216	262.0	335.0	251.0	107.0	190.0	210.0
AR-74	216	294.0	410.0	291.0	125.0	170.0	205.0
AR-75	232	294.0	380.0	290.0	124.0	177.0	197.0
AR-76	232	338.6	430.0	331.0	135.0	250.0	280.0
AR-77	324	406.0	570.0	401.0	150.0	305.0	334.0